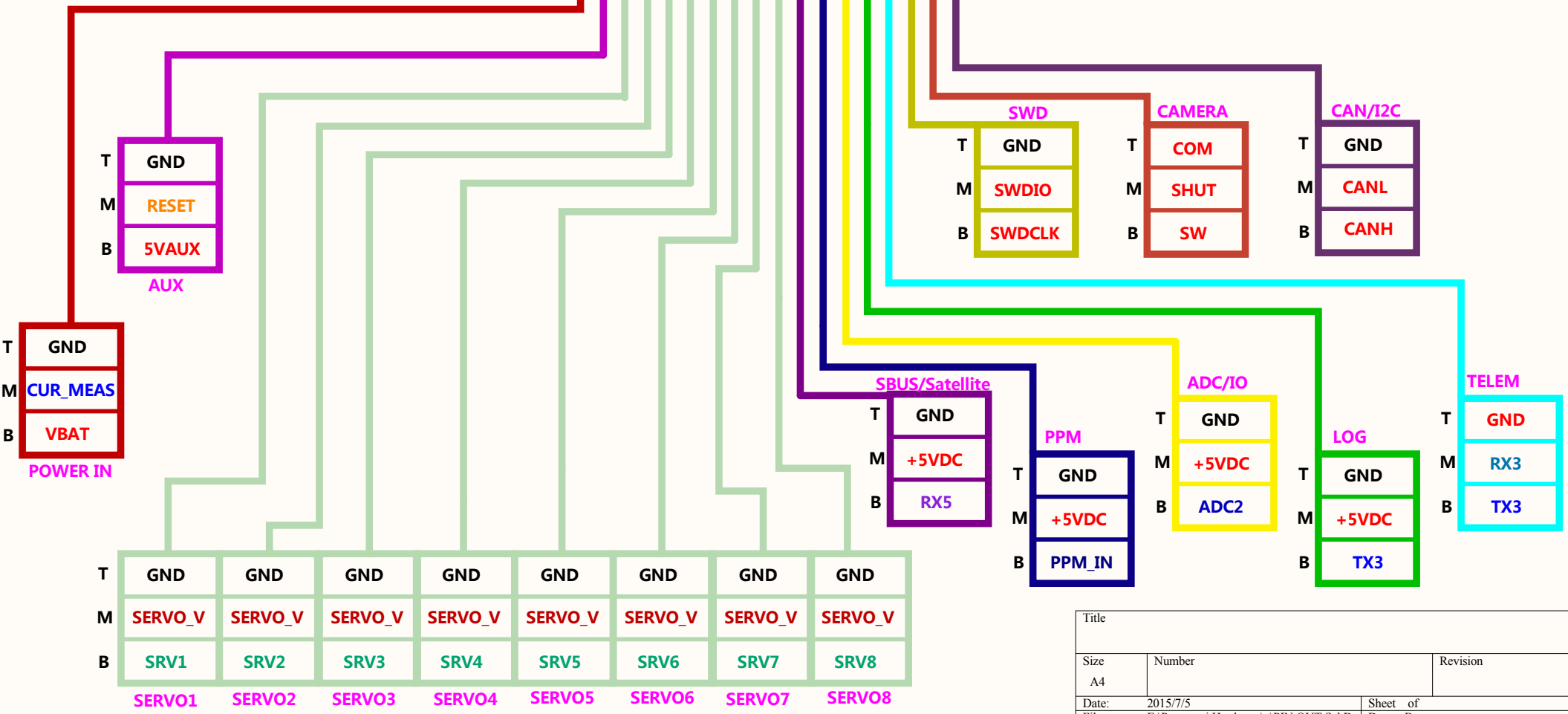


TOP — T
 MIDDLE — M
 BOTTOM — B

NOTE:
 1 The power input is 2S - 8S LiPo input power .
 2 The SBUS port output 5v power,when a 3.3V device be used ,you need a dc/dc module.



Title		
Size A4	Number	Revision
Date: 2015/7/5	Sheet of	
File: E:\Paparazzi Hardware\..PIN OUT.SchDoc	Drawn By:	