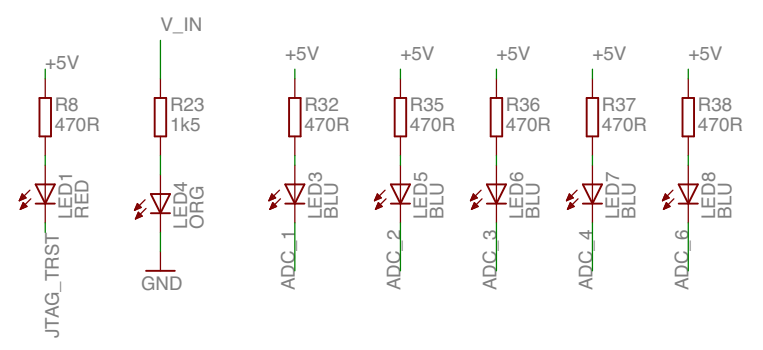
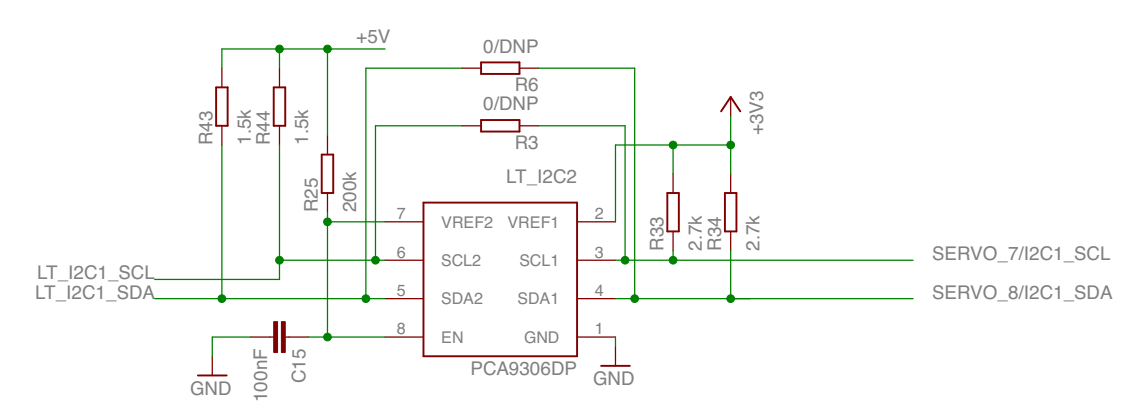


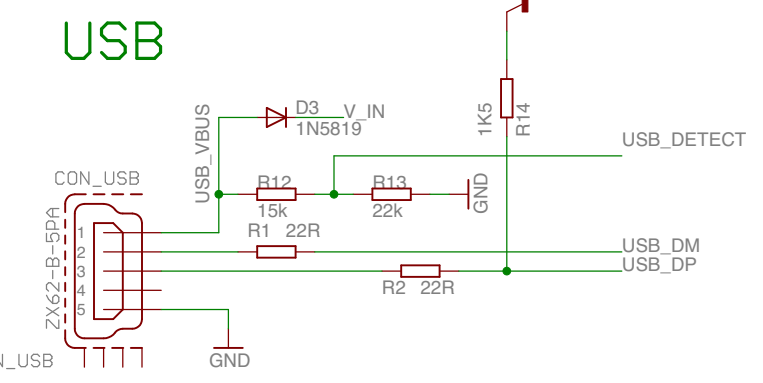
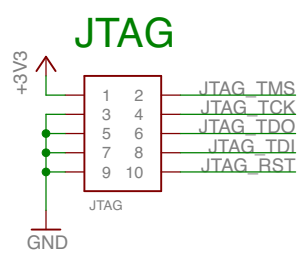
LEDS



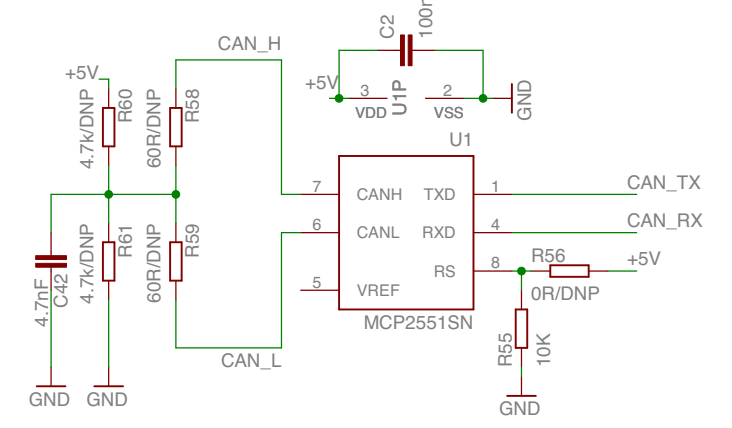
I2C1_LEVEL_SHIFTER



FIXME
 Add connector for no aspirin
 fixed via aspirin-connector dummy bd



CAN_TRANSCIEVER



(C) 2010-2011 Antoine Drouin <poinix@gmail.com> (C) 2011 Richard Hatano <rhatano@jobyenergy.com>
 (C) 2010-2011 Piotr Esden-Tempski <piotr@esden.net> (C) 2011 Joby Robotics <info@jobyrobotics.com>
 License: CC-BY-SA 3.0
<http://creativecommons.org/licenses/by-sa/3.0>

TITLE: lisa_m	
Document Number:	REV:
Date: 6/8/11 8:30 PM	Sheet: 3/3